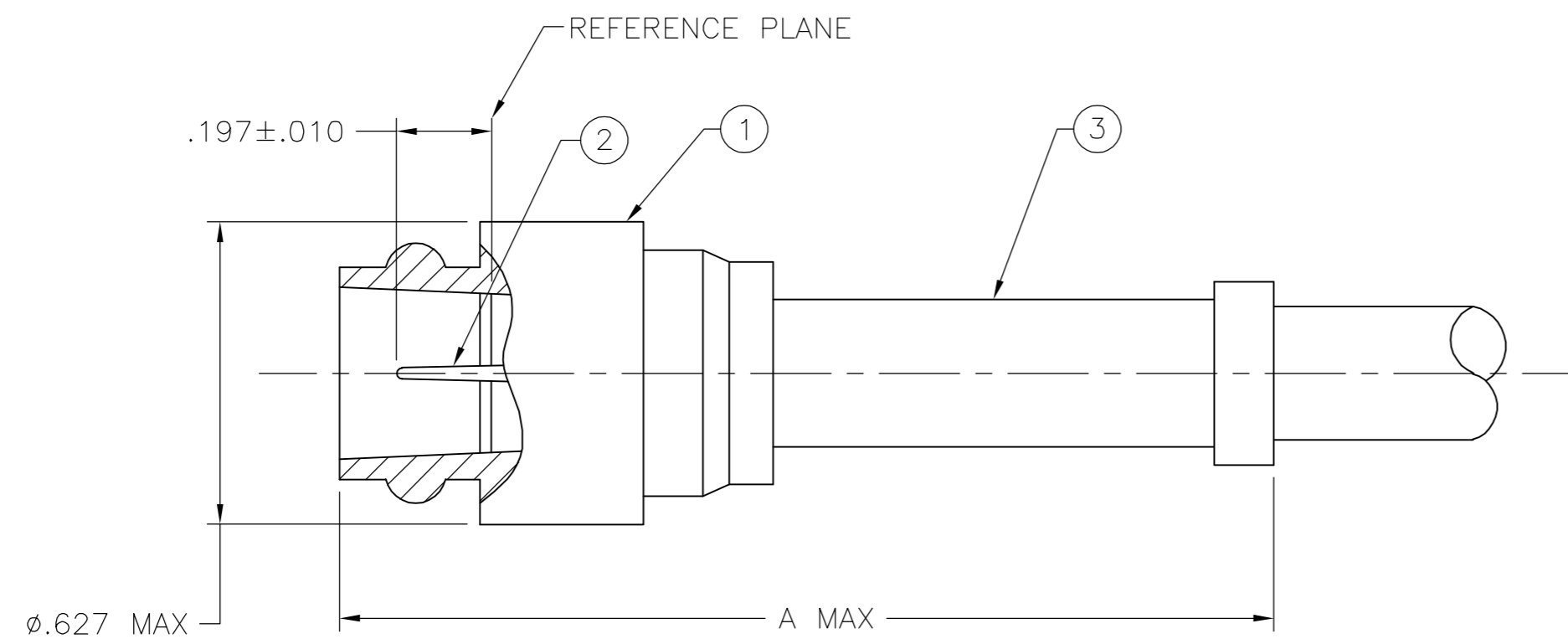
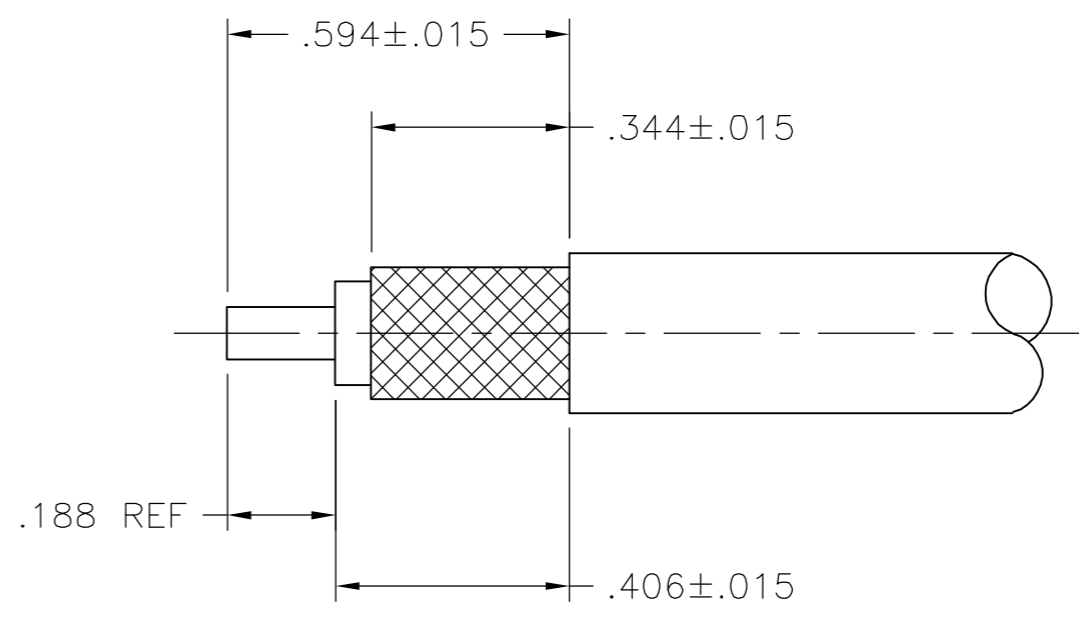
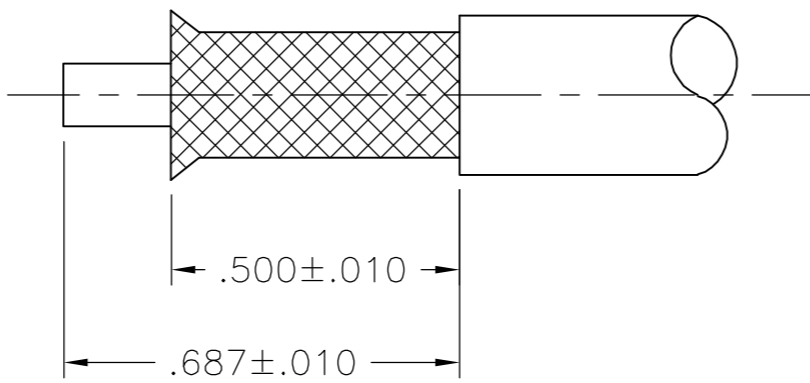
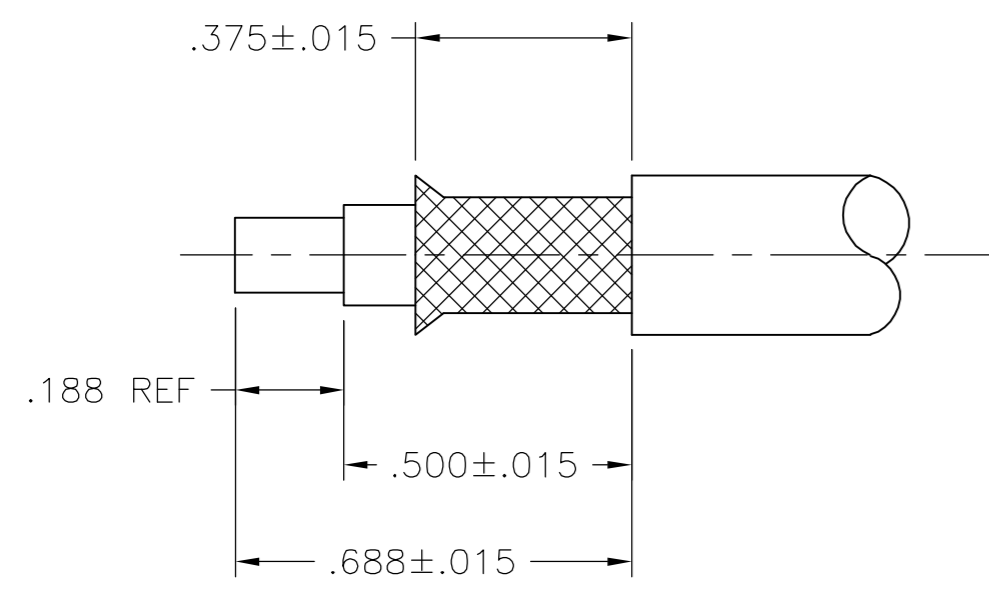


THIS DRAWING IS UNPUBLISHED. RELEASED FOR PUBLICATION
 © COPYRIGHT BY TYCO ELECTRONICS CORPORATION. ALL RIGHTS RESERVED.

LOC	DIST	REVISIONS			
P	LTR	DESCRIPTION	DATE	DWN	APVD
AJ	17	0	RELEASED PER EC OS14-0496-04	14FEB05	BM GM



- 1. SEE 1.5. 2028-2
- 2. RG-9/U, RG-9A/U, RG-9B/U & RG-214/U



DETAIL X

DETAIL Y

DETAIL Z

RECOMMENDED STRIP LENGTHS

RG-58/U & RG-58C/U	DETAIL Z	1.765	220045-2	9-225560-1	225106-1	226668-1	1-5225664-2
RG-213/U & RG-8/U	DETAIL X	1.937	220015-1	9-331987-0	51704-2	225082-3	5225664-2
2	DETAIL Y	1.937	220015-1	9-331987-1	51704-2	225082-3	5225664-1
CABLE	STRIP LENGTH	A MAX	CRIMP TOOL	3 FERRULE QTY: 1	2 CONTACT QTY: 1	1 JACK BODY QTY: 1	PART NUMBER

THIS DRAWING IS A CONTROLLED DOCUMENT.

DWN	B.MCMASTER	14FEB05
CHK	G. MICHAEL	14FEB05
APVD	G. MICHAEL	14FEB05

NAME: G. MICHAEL

PRODUCT SPEC: —

APPLICATION SPEC: —

WEIGHT: —

CUSTOMER DRAWING

SCALE: 2:1

SHEET 1 OF 1

REV 0

RESTRICTED TO: —

tyco Electronics
 Tyco Electronics Corporation
 Harrisburg, Pa 17105-3608

SIZE: A2
 CAGE CODE: 00779
 DRAWING NO: C=5225664